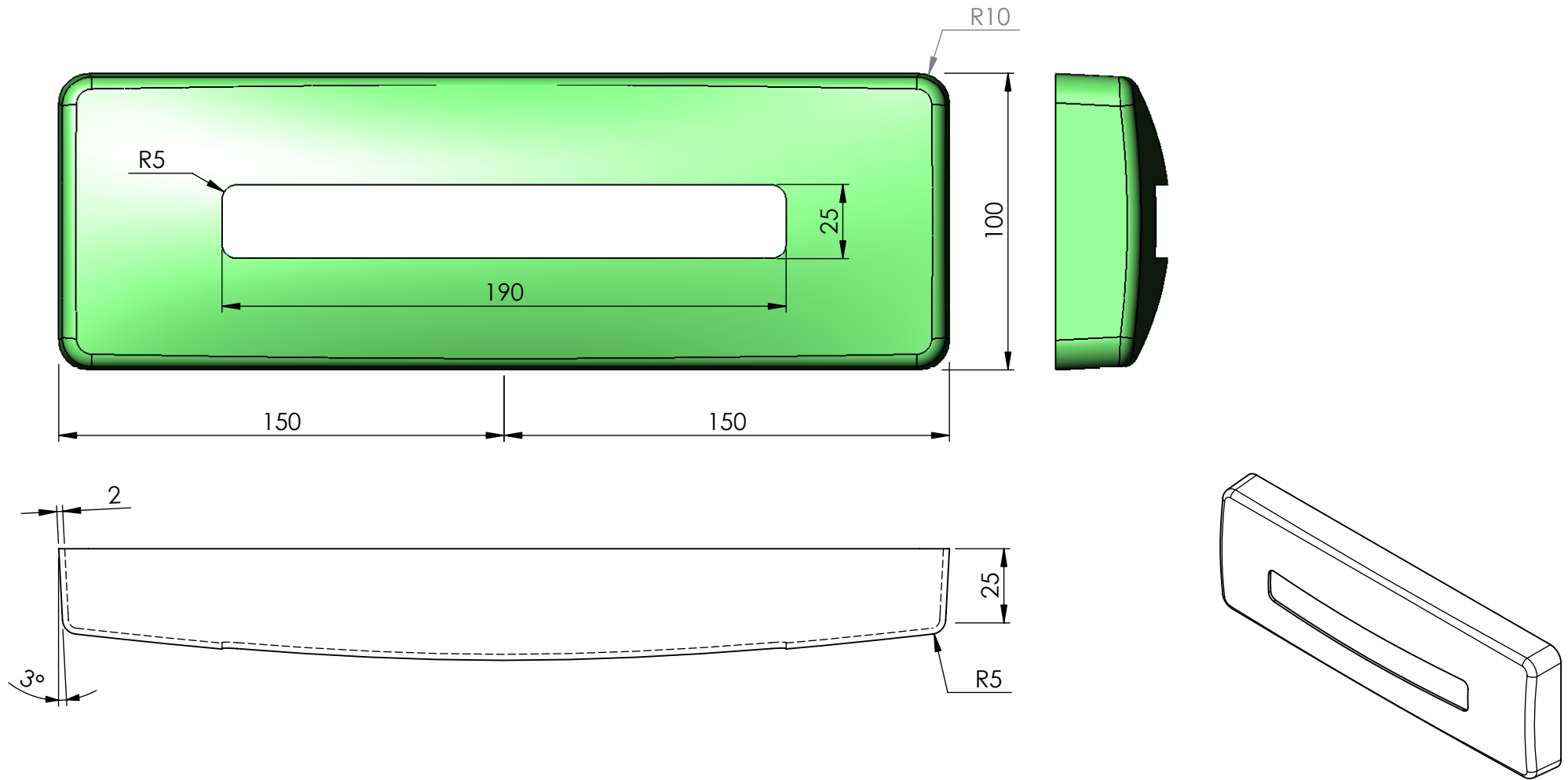


THE INFORMATION CONTAINED IN THIS DRAWING IS THE SOLE PROPERTY OF THE UNIVERSITY OF LIMERICK. ANY REPRODUCTION IN PART OR WHOLE WITHOUT THE WRITTEN PERMISSION OF THE UNIVERSITY OF LIMERICK IS PROHIBITED.



UNLESS OTHERWISE SPECIFIED
DIMENSIONS ARE IN MILLIMETRES
TOLERANCES ARE:
XXX (0 PLS) ±0.5 MM
XX.X (1 PLS) ±0.1 MM
X.XX (2 PLS) ±0.03 MM
.XXX (3 PLS) ±0.007 MM
UNLESS OTHERWISE NOTED
ANGLE TOLERANCE ±0°30',
UNLESS NOTED
MATERIAL

CAD GENERATED DRAWING,
DO NOT MANUALLY UPDATE

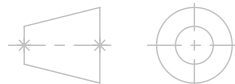
APPROVALS	DATE
DRAWN: TONY RYNNE	14/04/2007
CHECKED:	
APPROVED:	

UNIVERSITY OF LIMERICK



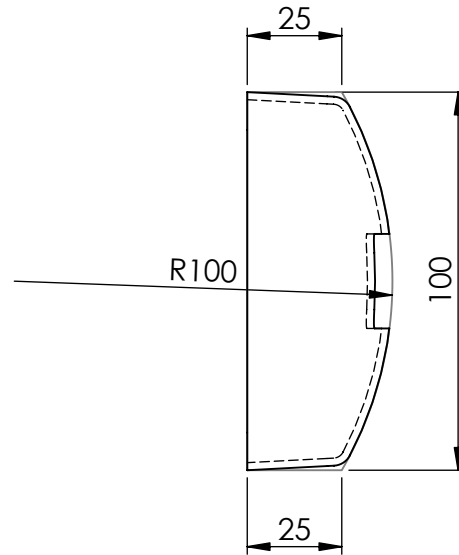
TITLE:
Fascia

Sheet1	FINISH BREAK ALL SHARP EDGES R0.13 MAX
DO NOT SCALE DRAWING	

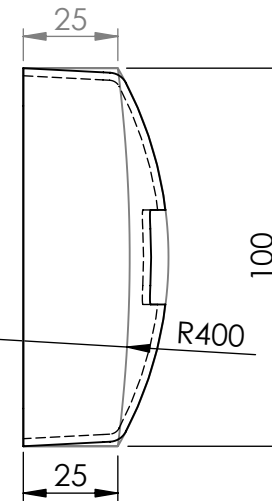
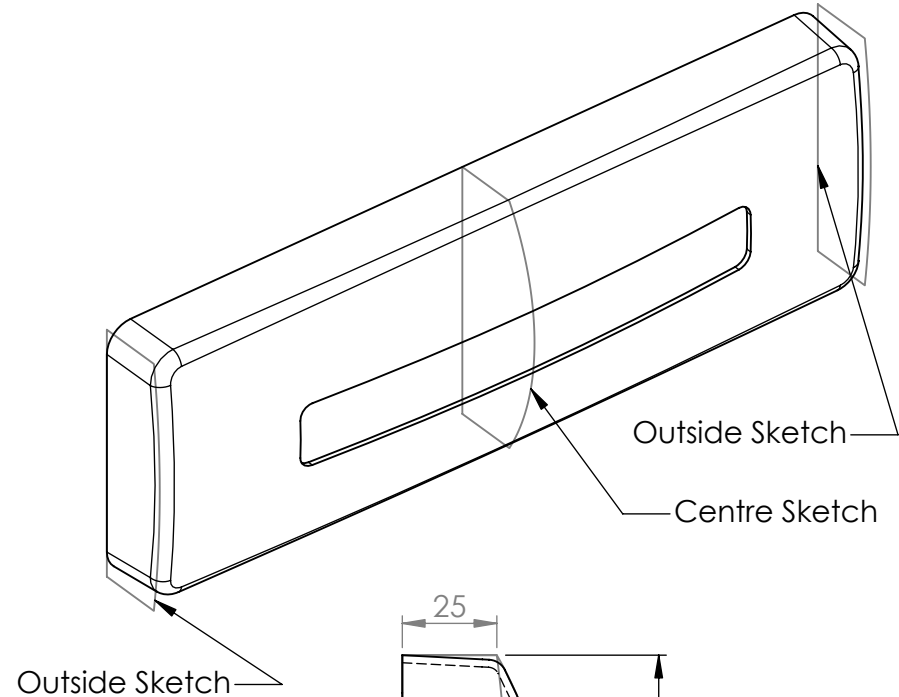


SIZE A4	DWG. NO.	REV.
SCALE: 1:2	CAD FILE:	SHEET 1 OF 2

THE INFORMATION CONTAINED IN THIS DRAWING IS THE SOLE PROPERTY OF THE UNIVERSITY OF LIMERICK. ANY REPRODUCTION IN PART OR WHOLE WITHOUT THE WRITTEN PERMISSION OF THE UNIVERSITY OF LIMERICK IS PROHIBITED.



**Centre sketch dimensions for loft.
The sketch is created on the right plane.**



**Outside sketch dimensions for loft.
The sketches are created on two
planes parallel to the right plane.**

UNLESS OTHERWISE SPECIFIED
DIMENSIONS ARE IN MILLIMETRES
TOLERANCES ARE:
XXX (0 PLS) ±0.5 MM
XX.X (1 PLS) ±0.1 MM
X.XX (2 PLS) ±0.03 MM
.XXX (3 PLS) ±0.007 MM
UNLESS OTHERWISE NOTED
ANGLE TOLERANCE ±0°30',
UNLESS NOTED

CAD GENERATED DRAWING,
DO NOT MANUALLY UPDATE

APPROVALS	DATE
DRAWN: TONY RYNNE	14/04/2007
CHECKED:	
APPROVED:	

UNIVERSITY OF LIMERICK



TITLE:
Fascia

Sheet2	MATERIAL --
DO NOT SCALE DRAWING	FINISH BREAK ALL SHARP EDGES R0.13 MAX



SIZE A4	DWG. NO.	REV.
SCALE: 1:2	CAD FILE:	SHEET 2 OF 2